

ID-Color™ Cardboard Cryogenic Boxes

I. APPLICATIONS

1. Storage and organization of any range of 0.5ml to 5ml tubes
2. Great for upright or chest freezers

II. FEATURES

1. Made from durable cardboard
2. Chemically resistant to alcohols and mild organic solvents
3. Temperature range: stable from -86°C to 121°C
4. Suitable for liquid nitrogen freezing (after adding vent holes, and using cardboard dividers)

III. BOX DESIGN

1. Available in 1inch, 2inch and 3.75inch sizes with either 81-well, 100-well dividers
2. Assorted colored boxes. (White, Orange, blue, yellow, and green)
3. Holds 0.5ml, 1.5ml or 2.0ml microtubes and 5ml large volume tubes
4. Attached lid includes Alphanumeric printing
5. Cardboard dividers and plastic dividers

IV. PACKAGING

1. Bulk, 20 boxes/case

V. DESCRIPTION

Item	Description	Packaging	Sterile
90-8281	2in, 81-well, ID-color, assorted	20 pieces/case	No
90-8200	2in, 100-well, ID-color, assorted	20 pieces/case	No
90-8100	1in, 100-well, ID-color, assorted	20 pieces/case	No
90-8381	3.75in, 81-well, ID-color, assorted	20 pieces/case	No

VI. STERILITY

1. N/A

VII. CERTIFICATION

Biologix products are manufactured completely according to the TUV ISO 9001:2015 standard.

VIII. RESTRICTIONS

Refer to the Chemical Resistance Chart in our catalog, and available within our online catalog.

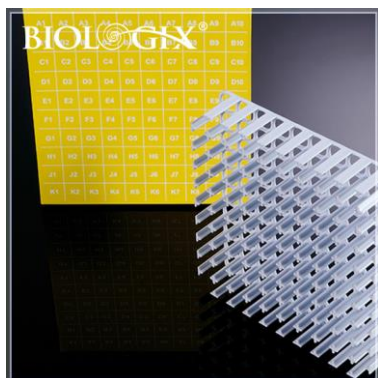
IX. PRODUCT PHOTOS



90-8100



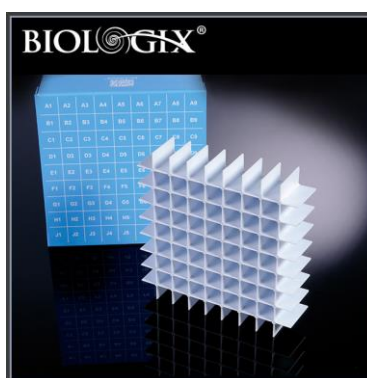
90-8281



90-8200

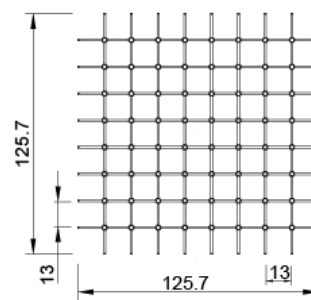
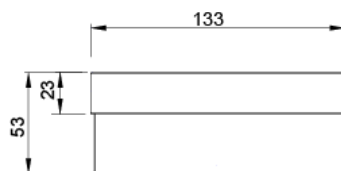
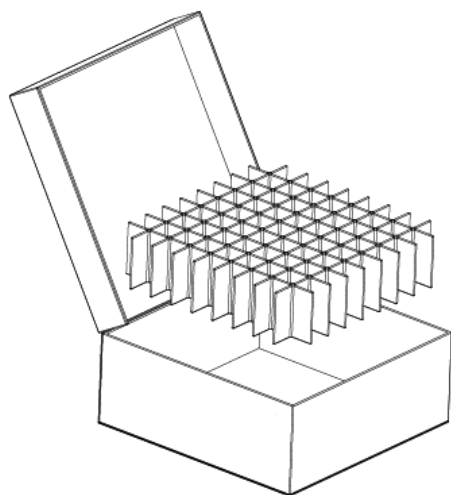


90-8381

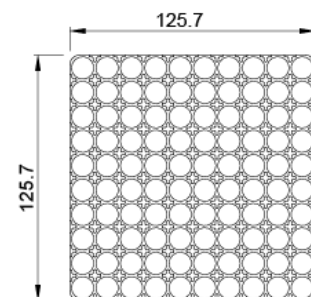
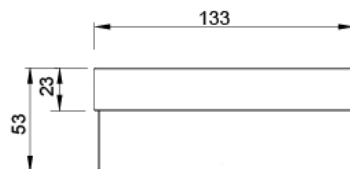
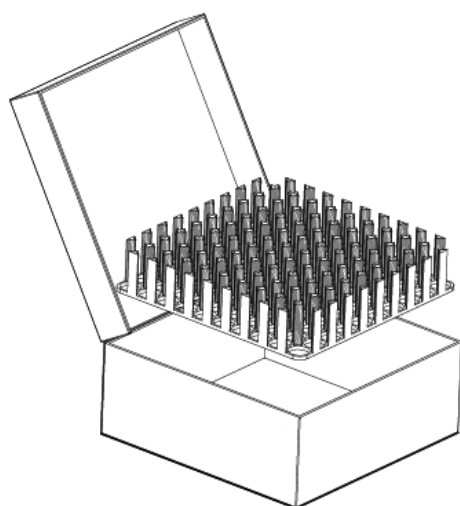


X. PRODUCT PARAMETER

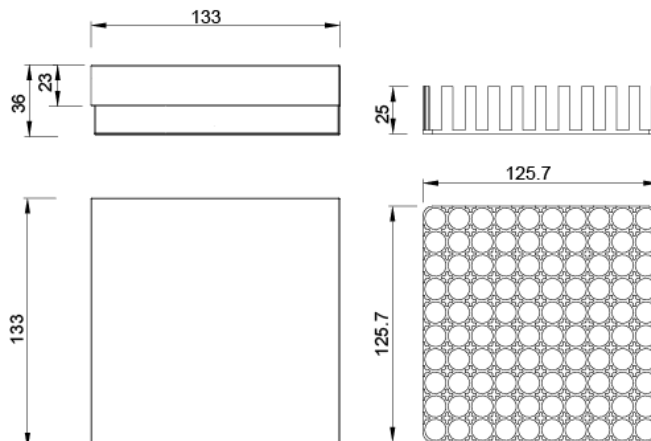
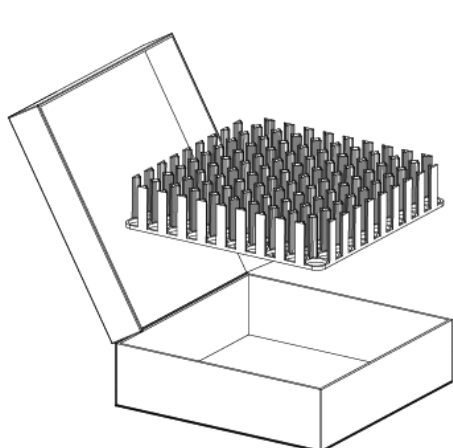
Dimensions=mm



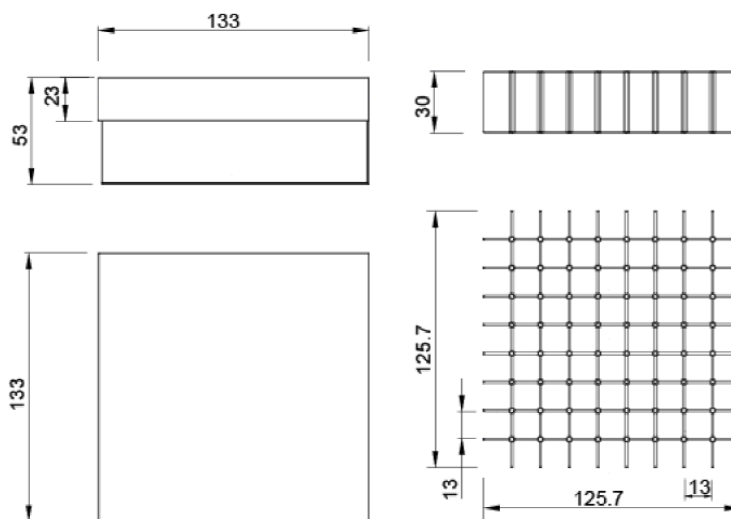
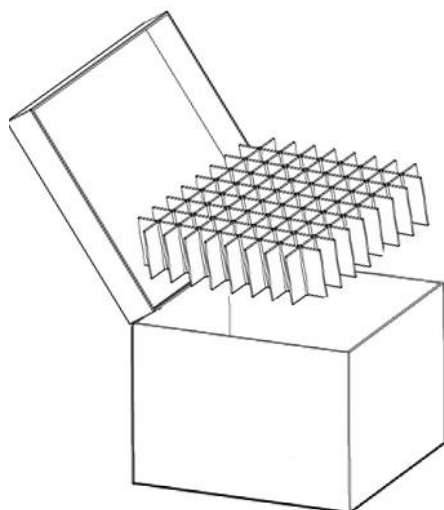
90-8281



90-8200



90-8100



90-8381